



Exclara Product Brief

EXM055

14.8 Watt Dimmable LED Ballast

Product Overview

The EXM055 is a power factor corrected LED Driver optimized in size and performance for low power ballast applications. A key attribute is that it can be used with standard leading and trailing edge phase dimmers making it suitable for all indoor lighting applications. It is among the industry's smallest design employing these features. Its Patent Pending design offers truly reliable operation with all standard dimmers with dimming resolution down to 0.1% of full scale output.



EXM055

Features	Applications
<ul style="list-style-type: none"> • Output power = 14.8 W • High Efficiency, >80% • High Power Factor – 0.99 • 1000:1 dimming range • Fits standard J-Box enclosures 	<ul style="list-style-type: none"> • Recessed down-light fixtures • Track lighting • Under-cabinet lighting • Accent Lighting

Application Diagram

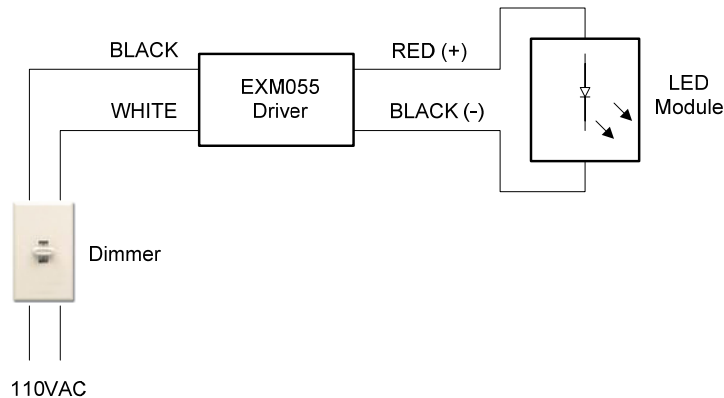


Figure 1. EXM055 Application



Ordering Information

Format: EXM055 - yyyy - x where:

EXM055 = model number yyyy = output configuration x = case type

Table 1 – Product Ordering Table

Part ID	Output Power (W)	Output Current (mA)	Output Voltage (min)	Output Voltage (max)	Case type
EXM055-0530-P	14.8	530	24	28	Plastic
EXM055-0530-M	14.8	530	24	28	Metal
EXM055-0530-X	14.8	530	24	28	Open-frame

(For other output configurations contact Exclara)

Key Electrical Characteristics

(Ta = -20°C – 70°C. Typical values are at Ta = 25°C)

Parameter	Symbol	Conditions	Min	Typ	Max	Units
Input voltage	V_{IN}		110		132	VAC
Input Frequency	$freq_{IN}$		47		63	Hz
Power Factor	PF	$V_{IN} = 110VAC$ at rated load	0.9	0.98		W/VA
Total Harmonic Distortion	THD	$V_{IN} = 110VAC$ at rated load	5	6	12	%
Input Current	I_{IN}	$V_{IN} = 90VAC$.2	A
Total Power output	P_{OUT}				13.2	W
Efficiency		I_o at rated load, $V_{IN} = 110VAC$		80		%
Output Voltage Range	V_o	At rated load current – Adjusted at Exclara	24	26	28	V
Output Current	I_o			530		mA

Key Environmental Characteristics

Parameter	Value
Storage Temperature	-40°C – 85°C
Temperature (Max) T_c	85°C
MTBF	714K hours per Mil-Std 785B & Mil-Std 756B
Operational Life	5 years
ROHS Compliant	Yes

copyright © 2011 Exclara